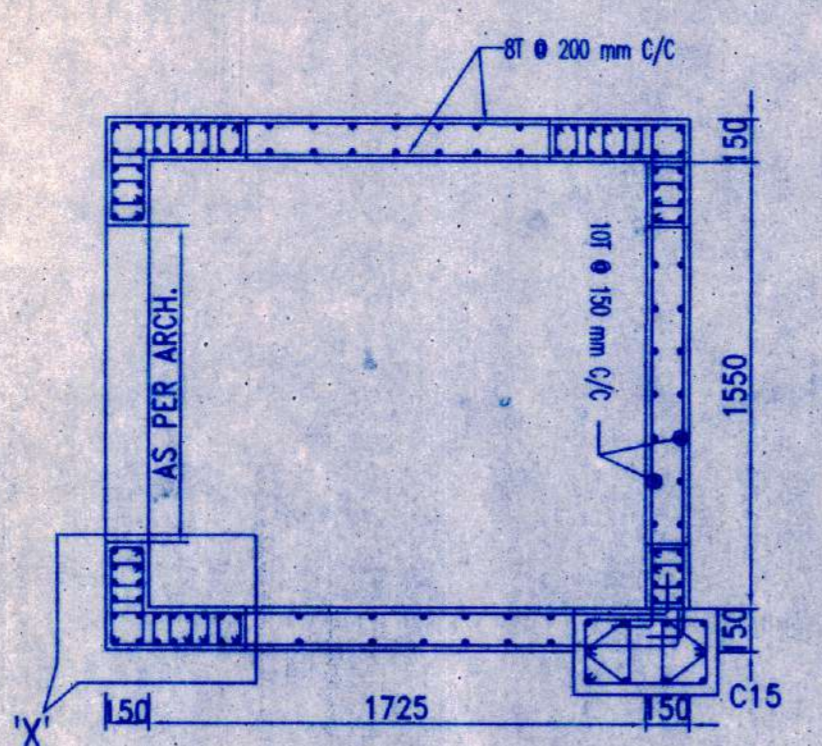
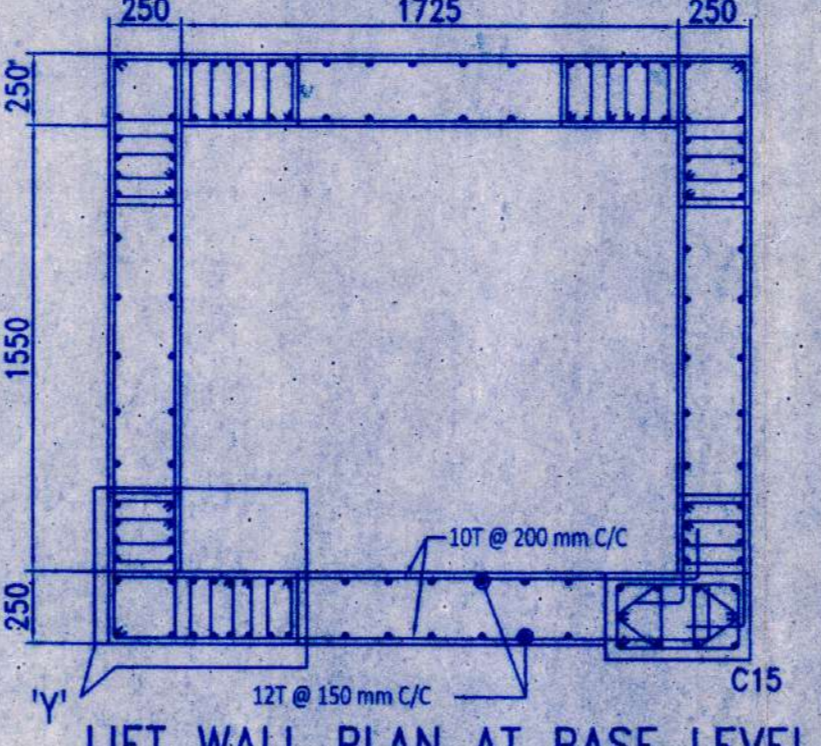


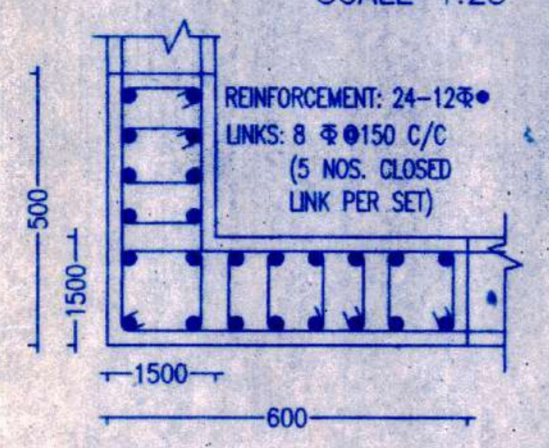
FOUNDATION LAYOUT PLAN
SCALE-1:100



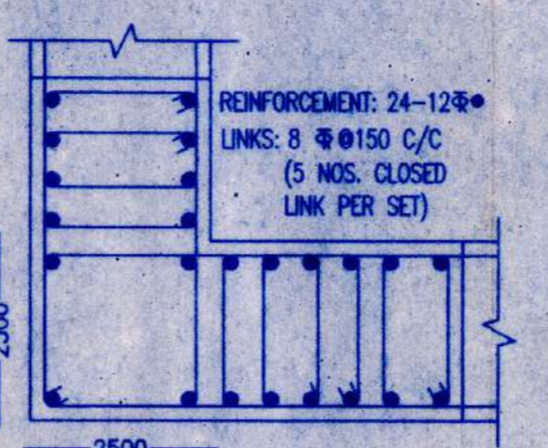
LIFT WALL PLAN AT FLOOR LEVEL
SECTION (S-S)
SCALE 1:25



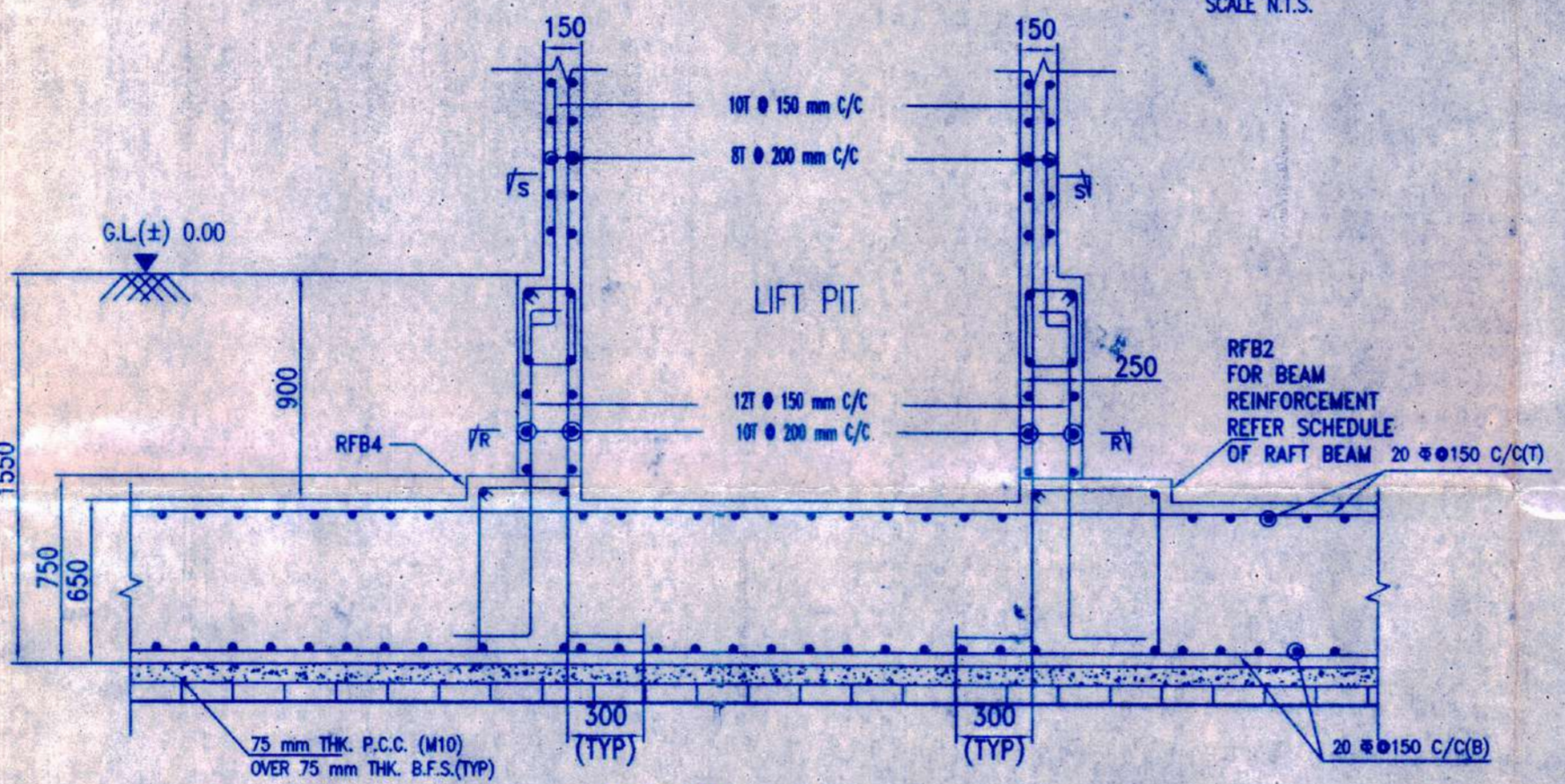
LIFT WALL PLAN AT BASE LEVEL
SECTION (R-R)
SCALE 1:25



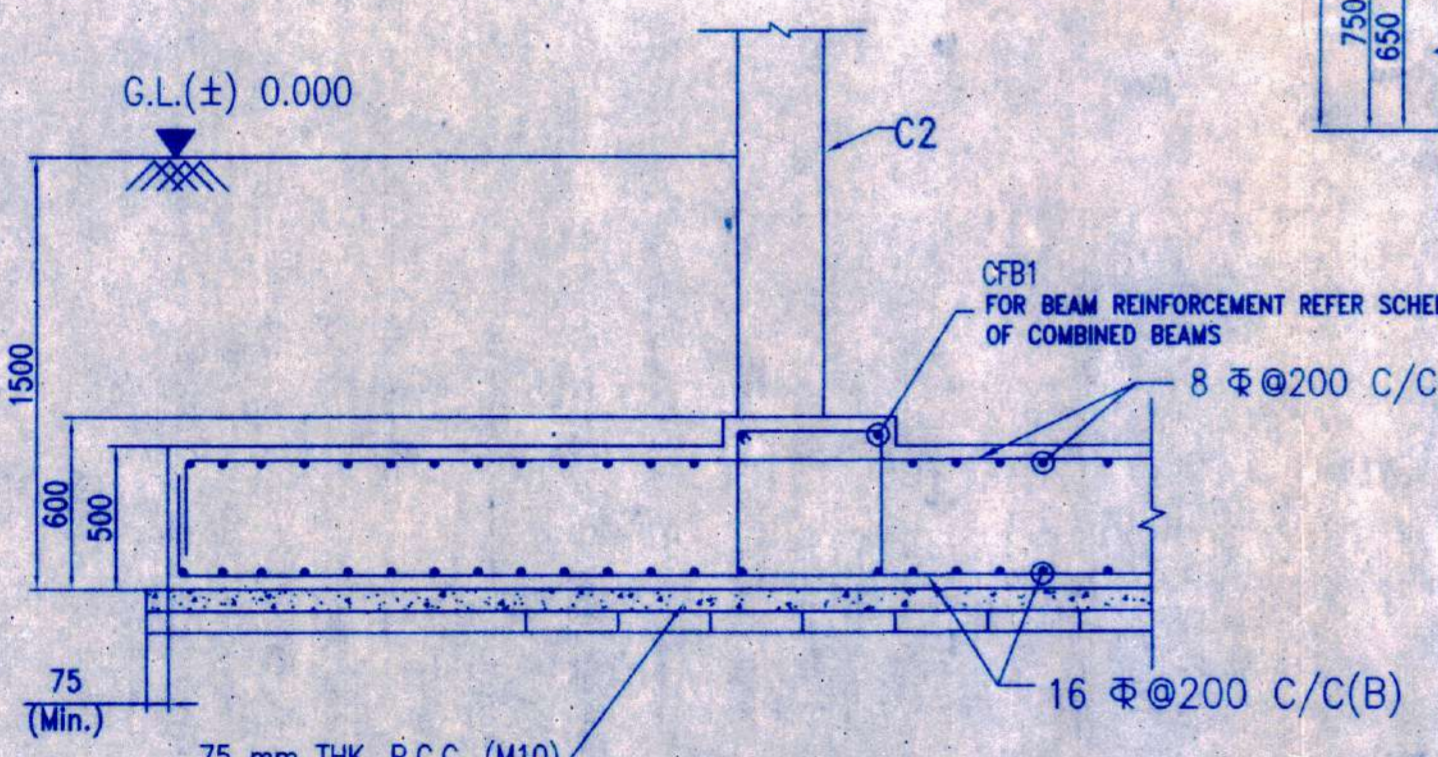
DETAIL "X"
SCALE N.T.S.



DETAIL "Y"
SCALE N.T.S.

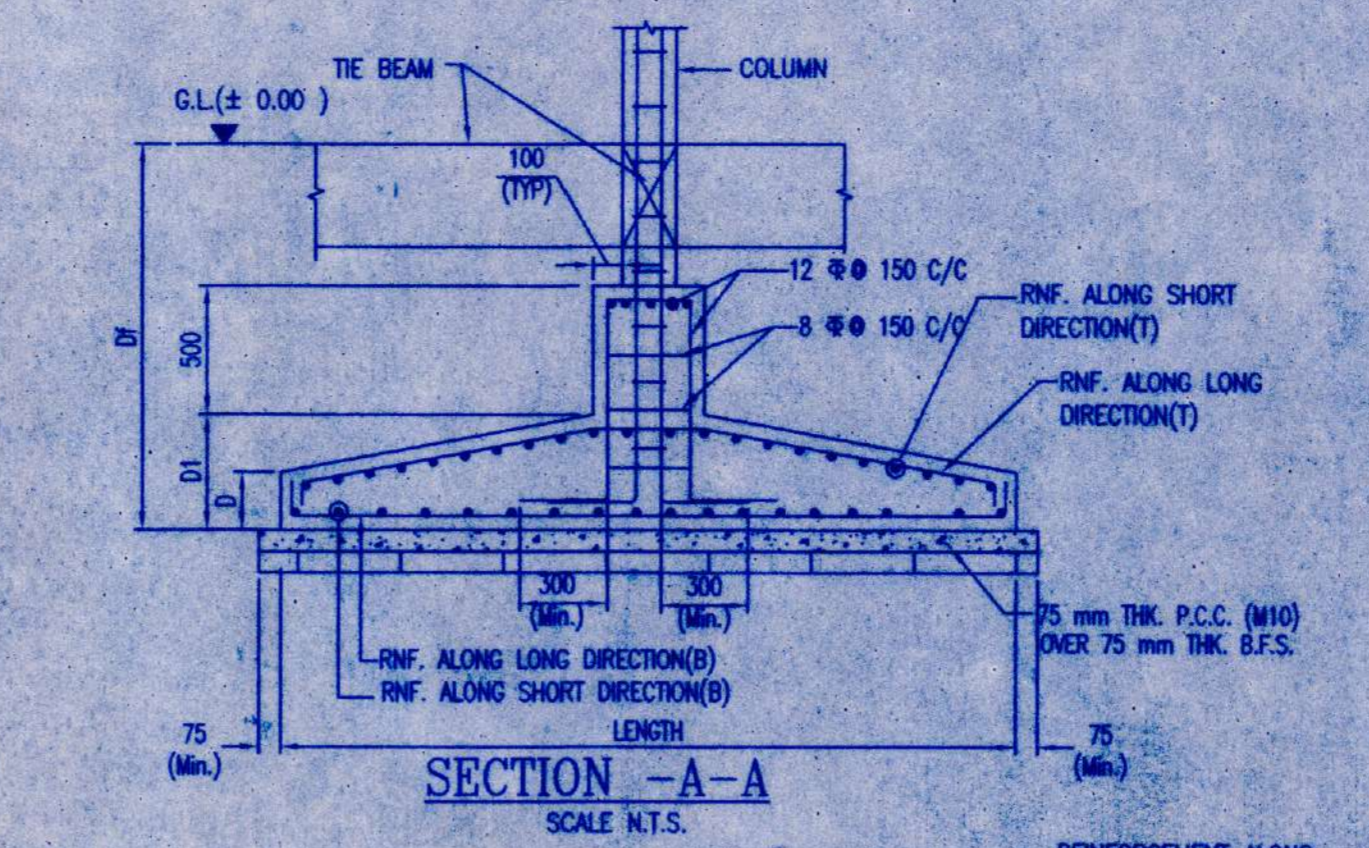


SECTION - C-C
SCALE-1:25

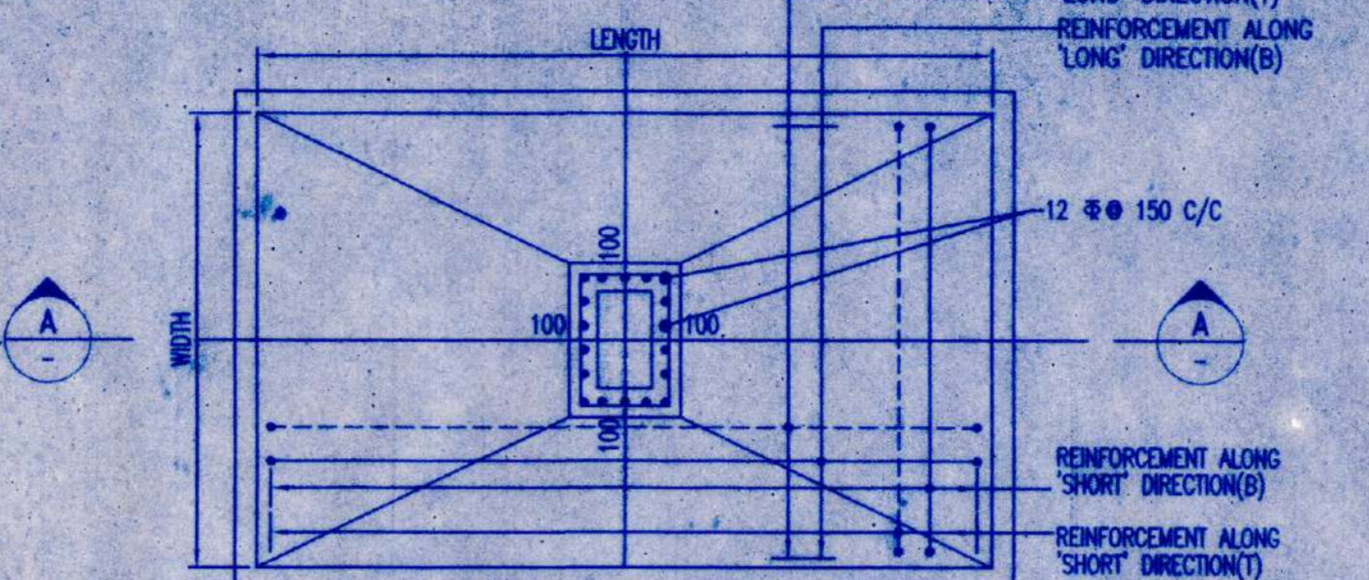


SECTION - B-B
SCALE-1:25

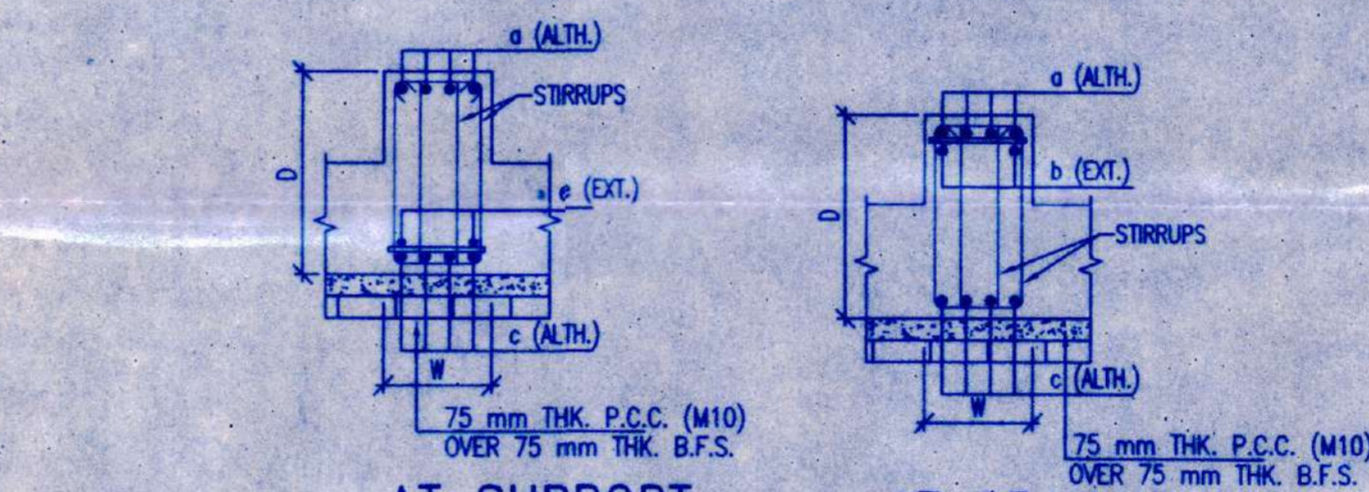
IMPORTANT NOTE:
THE STRUCTURE MUST BE CONSTRUCTED IN PRESENCE OF A COMPETENT STRUCTURAL ENGINEER FOR STRICT SUPERVISION.



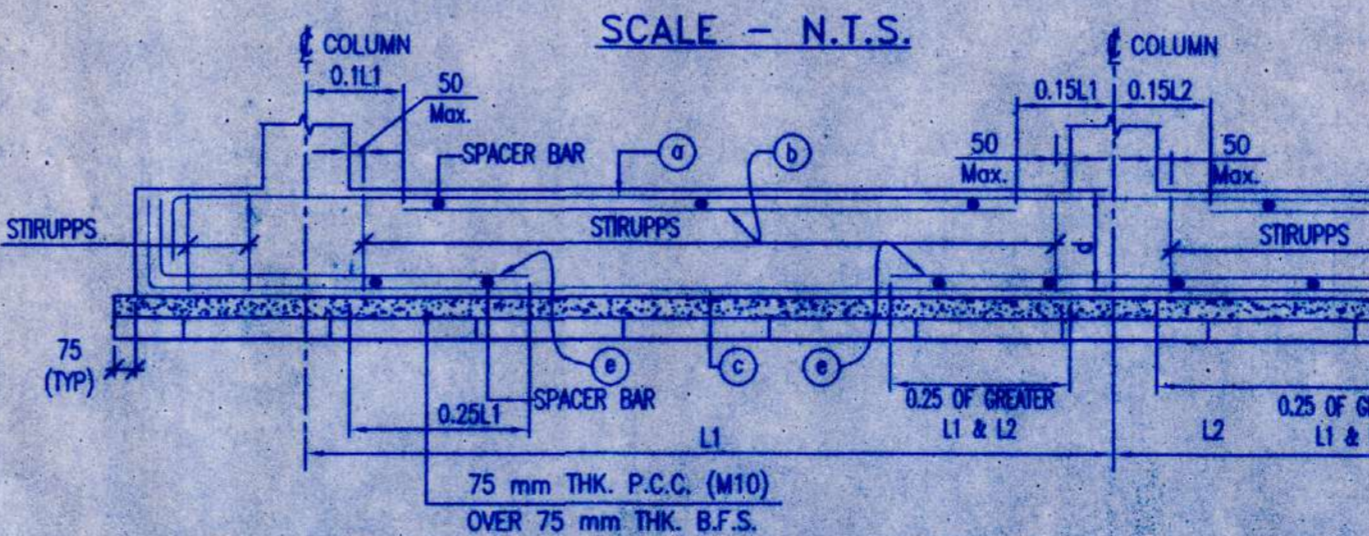
SECTION - A-A
SCALE N.T.S.



TYPICAL DETAIL OF ISOLATED FOUNDATION
SCALE N.T.S.



TYPICAL CROSS SECTION OF FOUNDATION BEAM
SCALE - N.T.S.



TYPICAL ARRANGEMENT OF REINFORCEMENT IN FOUNDATION BEAM
(AS PER SP 34-1987)

TYPE OF FOUNDATION	SIZE	NET SAFE BEARING CAPACITY (T/M ²)
ISOLATED	2.0m x 2.0m	13.2
	2.45m x 2.45m	12.9
	2.95m x 2.95m	12.6
	4.0m x 4.0m	12.6
	4.7m x 3.0m	12.6
COMBINED	MARKED IN DRAWING	11.5
RAFT	MARKED IN DRAWING	11.0

SPECIAL NOTE:-
THIS DESIGN WILL NOT BE VALID IF THIS BEARING CAPACITIES ARE NOT OBTAINED AT SITE UNDER THE SUPERVISION OF A COMPETENT GEO-TECHNICAL ENGINEER.

UNDER COLUMNS MARKED	FOUNDATION MARKED	NUMBER	FOUNDATION SIZE				FOUNDATION REINFORCEMENT DETAILS					
			LENGTH (m)	WIDTH (m)	THICKNESS		DEPTH		BOTTOM REINFORCEMENT		TOP REINFORCEMENT	
					D1 (mm)	D2 (mm)	D1 (mm)	D2 (mm)	ALONG SHORT DIRECTION	ALONG LONG DIRECTION	ALONG SHORT DIRECTION	ALONG LONG DIRECTION
C11	F1	01	2.0	2.0	400	300	1500	16 # @ 200 C/C	16 # @ 200 C/C	8 # @ 250 C/C	8 # @ 250 C/C	
C3, C5, C8, C14	F2	04	2.45	2.45	450	300	1500	16 # @ 200 C/C	16 # @ 200 C/C	8 # @ 250 C/C	8 # @ 250 C/C	
C4, C18	F3	02	2.95	2.95	500	350	1500	16 # @ 150 C/C	16 # @ 150 C/C	8 # @ 250 C/C	8 # @ 250 C/C	
C17	F4	01	4.0	4.0	600	500	1500	16 # @ 150 C/C	16 # @ 150 C/C	8 # @ 250 C/C	8 # @ 250 C/C	
C19	F5	01	4.7	3.0	600	500	1500	16 # @ 150 C/C	16 # @ 100 C/C	8 # @ 250 C/C	8 # @ 250 C/C	

FOUNDATION MARKED	NUMBER	FOUNDATION SIZE				FOUNDATION REINFORCEMENT DETAILS				FOUNDATION BEAM SIZE		FOUNDATION BEAM REINFORCEMENT DETAIL				
		TOTAL LENGTH	WIDTH	THICKNESS	DEPTH	BOTTOM REINFORCEMENT		TOP REINFORCEMENT		BEAM MARKED	WIDTH	DEPTH	BOTTOM REINFORCEMENT		STIRRUPS SPACING (mm)	
						ALONG SHORT DIRECTION (a)	ALONG LONG DIRECTION (b)	ALONG SHORT DIRECTION (c)	ALONG LONG DIRECTION (d)				ALTHROUGH	EXTRA		ALTHROUGH
CF1	01	6174	3750	500	1500	16 # @ 200 C/C	16 # @ 200 C/C	8 # @ 200 C/C	8 # @ 200 C/C	CFB1	600	600	5-20 #	3-20 #	5-20 #	4L-8 # @ 100 C/C
CF2	01	7520	3200	500	1500	16 # @ 200 C/C	16 # @ 200 C/C	8 # @ 200 C/C	8 # @ 200 C/C	CFB2	450	600	4-20 #	4-20 #	4-20 #	4L-12 # @ 100 C/C

BEAM MARKED	BEAM SIZE	TOP REINFORCEMENT		BOTTOM REINFORCEMENT		STIRRUPS
		ALTHROUGH	EXTRA AT SPAN	ALTHROUGH	EXTRA AT SUPPORT	
RFB1	900 x 750	6-16 #	3-16 #	6-16 #	4-20 #	6L-8 # @ 150 C/C
RFB2	600 x 750	5-16 #	-	5-16 #	3-16 #	4L-8 # @ 100 C/C
RFB3	600 x 750	4-25 #	-	4-25 #	4-20 #	4L-8 # @ 100 C/C
RFB4	450 x 750	4-20 #	-	4-20 #	2-20 #	4L-8 # @ 100 C/C

SLAB THICKNESS (mm)	REINFORCEMENT ALONG SHORTER DIRECTION		REINFORCEMENT ALONG LONGER DIRECTION	
	BOTTOM	TOP	BOTTOM	TOP
650	20 # @ 150 C/C	20 # @ 150 C/C	20 # @ 150 C/C	20 # @ 150 C/C

- NOTES:-
- UNLESS OTHERWISE STATED ALL CONSTRUCTION ACTIVITIES SHALL BE CARRIED OUT CONFORMING TO RELEVANT (INDIAN) STANDARDS & LEVELS ARE IN METER EXCEPT OTHERWISE MENTIONED ONLY WRITTEN DIMENSIONS SHALL BE FOLLOWED. ALL LEVELS GIVEN IN STRUCTURAL DRAWINGS ARE IN ACCORDANCE WITH ARCHITECTURAL DRAWINGS, AND INDICATE STRUCTURAL LEVEL ONLY (WITHOUT FINISH).
 - ALL DIMENSIONS ARE IN MILLIMETERS & LEVELS ARE IN METER EXCEPT OTHERWISE MENTIONED ONLY WRITTEN DIMENSIONS SHALL BE FOLLOWED. ALL LEVELS GIVEN IN STRUCTURAL DRAWINGS ARE IN ACCORDANCE WITH ARCHITECTURAL DRAWINGS, AND INDICATE STRUCTURAL LEVEL ONLY (WITHOUT FINISH).
 - ALL STRUCTURAL DRAWINGS SHALL BE READ ALONG WITH THIS DRAWING AS WELL AS RELEVANT ARCHITECTURAL DRAWINGS.
 - ANY DISCREPANCY IN THE STRUCTURAL AND ARCHITECTURAL DRAWINGS SHALL BE BROUGHT TO THE NOTICE OF STRUCTURAL CONSULTANT BEFORE EXECUTION OF WORK.
 - UNLESS OTHERWISE SPECIFIED ALL REINFORCEMENT TO BE USED SHALL BE TMT BARS OF GRADE Fe-300/500 D CONFORMING TO IS-1786-2008.
 - ADEQUATE CHAIR BARS TO BE PROVIDED TO KEEP THE TOP REINFORCEMENT IN PROPER POSITION.
 - VIBRATOR SHALL BE USED FOR PROPER COMPACTION OF CONCRETE AND CURING SHALL BE DONE PROPERLY.
 - UNLESS OTHERWISE SPECIFIED DISTRIBUTION REINFORCEMENT SHALL BE 8 T @ 250 C/C.
 - CONCRETE CLEAR COVER SHALL BE AS FOLLOWS:
 (A) DRAFT BEAM : 50 mm
 (B) COMBINED FOUNDATION SLAB AND BEAM : 50 mm
 (C) ISOLATED FOUNDATION : 50 mm
 (D) PEDESTAL : 40 mm
 - GRADE OF CONCRETE FOR SUBSTRUCTURE WILL BE M25 AS PER IS: 456:2000. DEVELOPMENT LENGTH SHOULD FOR LAP & SPLICES SHOULD BE PROVIDED AS PER THE PROVISIONS LAID DOWN IN SP 34:1987.
 - THE NET SAFE BEARING CAPACITIES FOR ALL ISOLATED FOOTINGS & COMBINED FOOTINGS AT DEPTH (-)1.5m. FROM G.L. HAS BEEN CONSIDERED AS MENTIONED IN DRAWING IN TUNE WITH THE SOIL REPORT PREPARED BY GEOTECH ENGINEERS.
 - THE NET SAFE BEARING CAPACITIES FOR RAFT FOOTING AT DEPTH (-)1.5m. FROM G.L. HAS BEEN CONSIDERED AS 11.0 T/SQ.M IN TUNE WITH THE SOIL REPORT PREPARED BY GEOTECH ENGINEERS.
 - THE ABOVE MENTIONED BEARING CAPACITIES MUST BE ENSURED AT SITE UNDER THE SUPERVISION OF A COMPETENT GEO-TECHNICAL ENGINEER FOR VALIDITY OF THIS DRAWING.
 - THE 'N' VALUE AS DESCRIBED UNDER NOTES OF TABLE-1 OF IS-1893 (PART-1)-2016 SHOULD BE ENSURED TO BE GREATER THAN 15 FOR VALIDITY OF THIS DESIGN AND DRAWING.
- SPECIAL NOTE:
THIS STRUCTURAL DRAWING IS VALID IF THE CONSTRUCTION IS DONE USING AAC BLOCKS FOLLOWING PROPER DIMENSION OF EXTERNAL AND INTERNAL WALLS AS PER ARCHITECTURAL DRAWING.

TITLE
STRUCTURAL DRAWINGS OF PROPOSED G+5 STORIED RESIDENTIAL BUILDING OF SRI ANUROOP BANERJEE OVER R.S. PLOT NO. - 1586, L.R. PLOT NO. - 2022, KHATIAN NO.- 4712, MOUZA -ARRAH, J.L. NO- 91, P.S. KANKSHA, DIST- PASCHIM BARDHAMAN.

SIGNATURE OF L.B.S./ENGINEER/ARCHITECT
Vijaya Singh Mazumder
VJAYA SINGH MAZUMDER
Consulting Architect
DMC Registered (DMC/BPD/60)
9332802186, 9476426108

SIGNATURE OF STRUCTURAL ENGINEER
Sudhakar Das
SUDHAKAR DAS
18.03.2021

SIGNATURE OF VETTING AUTHORITY
Dr. Dipankar Chakraborty
DR. DIPANKAR CHAKRABORTY
PROFESSOR
CIVIL ENGINEERING
BIRLA INSTITUTE OF TECHNOLOGY
KISHINOR, RAIPUR
JHARKHAND
PIN-834 001
MOB: 9332802186, 9476426108
EMAIL: prof.dipankar@gmail.com

SIGNATURE OF GEO-TECH ENGINEER
Asim Sarkar
ASIM SARKAR
BCE, M.E (SOIL & TECH (STRUCTURE)), MIBS MIE
EMPANELLED GEOTECHNICAL ENGINEER
K.M.C. No. CLASS-1/2

SIGNATURE OF PANCHAYAT PRADHAN
APPROVED
Vide Memo No. *DE/PS&P/100* DL 23/09/2021
DISTRICT ENGINEER OF PASCHIM BARDHAMAN, ZILA PARISHAD

SIGNATURE OF OWNER
Anuroop Banerjee
Anuroop Banerjee
Matendighi Gram Panchayat
Kuldiha, Durgapur-713212

DRAWING DETAILS
FOUNDATION LAYOUT PLAN & REINFORCEMENT DETAILS.
SCALE-1:100 OR AS SHOWN
DATE- 18.03.2021
SHEET- 1 OF 4